

Conversion of Metering Valve LUER-connection to G1/8"-Adapter

Art.Nr. 0002230

Set consists of:

Art.Nr.	Description
0002230	Dispensing Nozzle Adapter 1/8" BSP for Metering Valve AXDV-C1/C2
3234407	Hexagon socket spanner 3.5

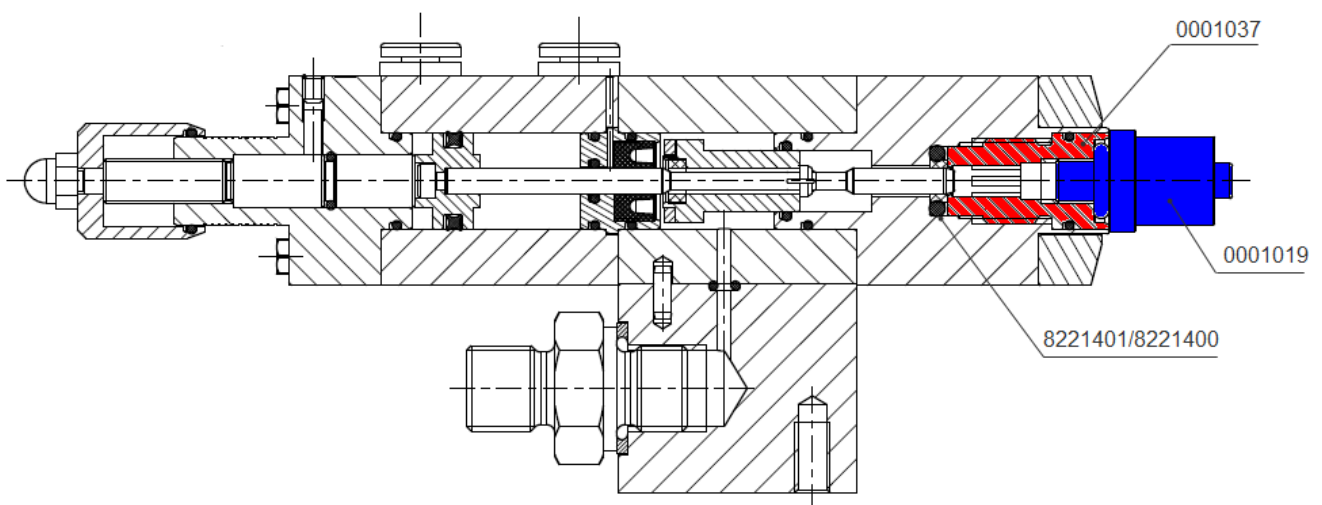
Assembly Manual:

- Loosen and remove existing Dispensing Tip Adapter *Art.Nr. 0001019* (blue) fully by hand
- Loosen and remove screwed-in Adapter *Art.Nr.0001037* (red) with the included 3.5mm Hexagon socket spanner *Art.Nr. 3234407*

CAUTION: Do not remove Seal Unit *Art.Nr. 8221401/8221400*

CAUTION: Dispensing needle must be completely withdrawn (adjust biggest dosing volume)! If necessary, the valve can be disassembled to reach the hexagon socket surface (especially for the outlet valves AXDV-A1).

- Screw in and fasten the new Dispensing Nozzle Adapter 1/8" BSP *Art.Nr. 0002230* with a 13mm Spanner (not included)



01.12.2016, ISM

N:\40_Verkauf\99_Div\Kundeninfo\Kundeninfo 2016-11 Umbau LUER en.docx

